



Fancoil with design cabinet, with a depth of 17 cm

## FLAT S 1 - 3 kW



### THE SOLUTION TAILORED TO DESIGN REQUIREMENTS OF RESIDENTIAL APPLICATIONS

Galletti's FLAT series now becomes SLIM. In fact, with a depth of only 17 cm, FLAT S ensures a compact size that makes it easy to integrate in any context, thus responding to the new design trends in the residential sector (and beyond).

The FLAT S mini series means innovation also in terms of engineering: it combines a guarantee of excellent low-noise performance with the advantage of an exclusive design that fits well with both residential and commercial settings.

The stylishly designed cabinet (colour RAL9010) is compact and manufactured from steel sheet and UV-stabilised ABS. The upper grille includes a flap and adjustable louvers fitted with a microswitch that automatically shuts down the unit when the flap itself is closed. The adoption of UV-stabilized ABS for the parts comprising the antistatic cabinet in the ventilation unit (volute and centrifugal fan) provide the same aesthetics and acoustics throughout the entire life of the product



ERGO  
Supervision



2-pipe  
system



Vertical  
installation



Centrifugal  
fan

### PLUS

- ✓ Fancoil with design cabinet with a depth of 17 cm
- ✓ Microswitch on the air flap
- ✓ Manufactured from UV-stabilized ABS
- ✓ Can be integrated into the ERGO
- ✓ Incorporable ioniser



### AVAILABLE VERSIONS



Suspended wall mounted, with cabinet,  
with vertical air flow

## MAIN COMPONENTS

### Cabinet

Stylishly designed cabinet (colour RAL9010), with a depth of only 17 cm deep, front panel made of sheet steel. Side panels and an upper grille with covers on either side manufactured from UV-stabilised ABS to maintain the colour intact over time. The upper grille consists of a flap and adjustable louvers. The flap features a microswitch that automatically shuts down the unit when the flap itself is closed.



### Structure

Built from galvanised steel sheet of extra thickness, heat and sound insulated by means of Class 1 self-extinguishing panels.

### Heat exchanger

High efficiency heat exchanger made with copper piping and aluminium fins, provided with brass manifolds and vent valve. The water connections are reversible at the time of installation. On request it is possible to mount an additional heat exchanger for 4-pipe systems.

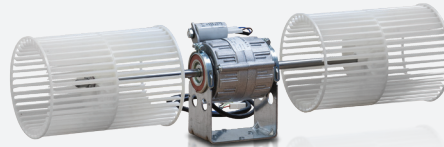


### Fans

Double suction centrifugal fans, statically and dynamically balanced, manufactured from anti-static ABS, with blades having an airfoil section and offset modules. The fans are housed in a low-noise ABS volute with high-efficiency profile.

### Electric motor

It is mounted on vibration dampers, with permanently activated capacitor and thermal protection of the windings, and is directly coupled with the fans. It is available as either a 3- or 6-speed version in order to meet all the specific needs of performance, quietness, and power consumption.



### Air filter

Honey-comb polypropylene washable air filter, easily removable for maintenance operations. On FLAT U version the air filters are fitted onto the air inlet grille.

## ACCESSORIES

### Electromechanical control panels

<b>CB</b>	On-board speed switch
<b>TIB</b>	Electromechanical controller, complete with speed selector, thermostat and summer/winter selecting switch
<b>TC</b>	Electromechanical thermostat for minimum water temperature in heating mode, mounted on the heat exchanger
<b>CD</b>	Recess wall-mounted speed selector
<b>CDE</b>	Wall-mounted speed selector
<b>TD</b>	Wall-mounted electromechanical controller, complete with speed selector, thermostat and summer/winter selecting switch.
<b>TDC</b>	Wall-mounted electromechanical controller, complete with speed selector and thermostat.
<b>TD4T</b>	Wall-mounted electromechanical controller, complete with speed selector, thermostat and summer/winter selecting switch for control of the fan coil and ON/OFF valves.

### Wall-mounted microprocessor electronic control panels

<b>MCBE</b>	MYCOMFORT BASE electronic controller with display
<b>MCME</b>	MYCOMFORT MEDIUM electronic controller with display
<b>MCLC</b>	MYCOMFORT LARGE electronic controller with display
<b>EVO</b>	Wall-mounted microprocessor controller
<b>KBFLAE</b>	FLAT on-board installation kit
<b>MCSWE</b>	Water sensor for MYCOMFORT BASE, MEDIUM, LARGE, LED503 and EVO microprocessor controllers
<b>MCSUE</b>	Remote humidity sensor for EVO, MYCOMFORT MEDIUM and LARGE on-board controllers
<b>LED503</b>	Recess wall-mounted microprocessor controller

### Power interface

<b>KP</b>	Power interface for connecting in parallel up to 4 fan coils to one controller
-----------	--

### Additional heat exchanger for 4-pipe systems

<b>DF</b>	1 row additional heat exchanger for 4-pipe systems (hot water circuit)
-----------	--

### Base supports and enclosing panels

<b>ZL</b>	Pair of base and enclosure elements
<b>PV</b>	Rear pre-painted panel for vertical installation fan coils with cabinet

### Valves

<b>KVK</b>	2 or 3-way valve with ON/OFF or modulating electrothermal motor and hydraulic kit for standard heat exchanger
<b>VKDF</b>	2 or 3-way valve with ON/OFF or modulating electrothermal motor and hydraulic kit for DF heat exchanger

### Auxiliary water drip trays, insulating shell

<b>BV</b>	Auxiliary water drip tray for vertical installation fan coil units
<b>GIVK</b>	Valve insulation shell



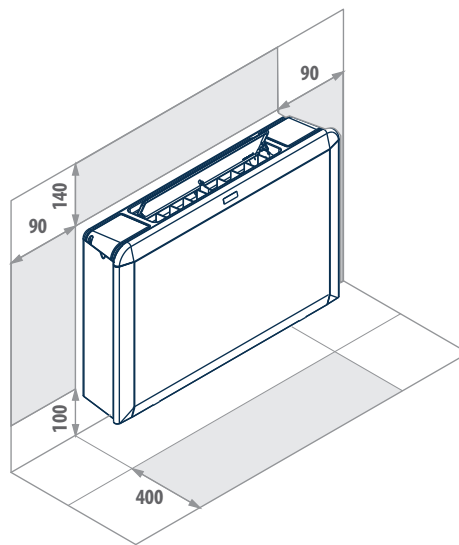
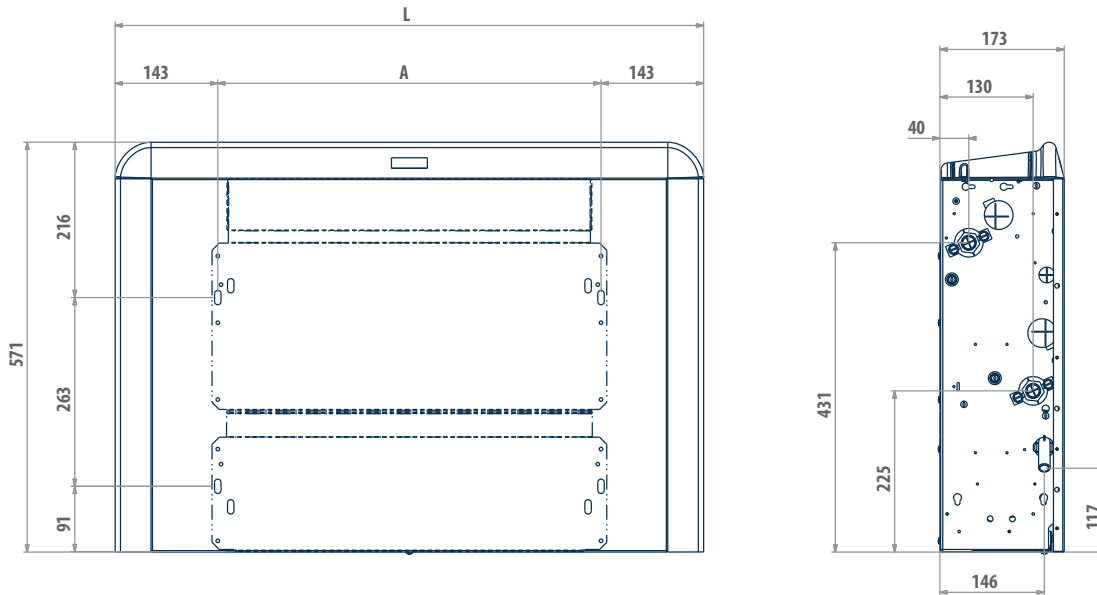
## Rated technical data

FLAT S		10			20			30			40		
Fan speed		min	med	max	min	med	max	min	med	max	min	med	max
Total cooling capacity (1) (E)	kW	0,86	0,98	1,24	1,09	1,34	1,75	1,41	1,76	2,32	1,76	2,14	2,78
Sensible cooling capacity (1) (E)	kW	0,61	0,70	0,89	0,75	0,93	1,22	1,02	1,27	1,69	1,27	1,55	2,03
Water flow (1)	l/h	148	168	213	186	230	300	243	303	399	303	368	477
Water pressure drop (1) (E)	kPa	3	3	5	5	7	11	3	5	7	5	6	10
Heating capacity (2) (E)	kW	1,07	1,21	1,52	1,21	1,47	1,93	1,81	2,21	2,88	2,21	2,66	3,42
Water pressure drop (2) (E)	kPa	2	3	4	4	6	9	3	4	6	4	5	8
Heating capacity (3)	kW	1,8	2,05	2,57	2,02	2,45	3,21	3,07	3,73	4,84	3,73	4,48	5,76
Water flow (3)	l/h	158	180	225	177	215	282	269	327	425	327	394	505
Water pressure drop (3)	kPa	2	3	4	3	5	7	3	4	6	4	6	9
Air flow	m <sup>3</sup> /h	115	135	170	135	170	225	200	250	340	250	310	420
Power input (E)	W	12	17	23	14	20	27	23	28	37	25	31	42
Sound power level (4) (E)	dB/A	30	35	40	35	40	46	32	38	46	37	42	49
Additional coil heating capacity DF (3) (E)	kW	1,19	1,31	1,55	1,53	1,76	2,16	2,16	2,48	3,07	2,48	2,81	3,44
Water flow (3)	l/h	104	115	136	134	155	190	189	217	269	217	246	302
Water pressure drop (3) (E)	kPa	2	3	4	5	6	9	2	2	3	2	3	4

- (1) Water temperature 7 / 12°C, air temperature D.B. 27°C, W.B. 19°C (47% relative humidity)  
 (2) Inlet water temperature 50°C, water flow rate same as in cooling mode, air temperature 20°C  
 (3) Water temperature 70 / 60°C, air temperature 20°C  
 (4) Sound power measured according to standards ISO 3741 and ISO 3742  
 (E) EUROVENT certified data  
 Power supply 230-1-50 (V-ph-Hz)

## Dimensional drawings

### FLAT S



FLAT S	10	20	30	40
A	534	704	874	874
L	820	990	1160	1160
1 - Water connections (female gas), standard heat exchanger	1/2"	1/2"	1/2"	1/2"
2 - Water connections (female gas), DF heat exchanger	1/2"	1/2"	1/2"	1/2"
3 - Drain outlet for vertical installation	16	16	16	16
Diameter of drain outlet	17	17	17	17